

Large Form Factor 17 – 21.5 inch Industrial Embedded Ultra Flat IP65 Touch Monitor



Specifications



17" – 21.5", Full Flat IP65 Touch Monitor

- Frame : Industrial Grade Aluminium Alloy
- Inches Available: 17 inch to 21.5 inch
- Color : Black or Sliver
- OEM, ODM, Customised Available

Waterproof Full Flat
IP65 Seamless Front



Optional: Sunlight Readable
(1000cd/m² Brightness)

Product Features

- OSD, Power Button
- Embedded Holes
- Excellent Heat Dissipation Design
- VESA Holes (75 x 75mm; 100 x 100mm)

Back to be IP sealed
with Neoprene - not
waterproof



Interfaces

- Support VGA, HDMI, DVI Automatic Identification Signal Channel
- Customised Interface :



RJ45 Touch Input HDMI DVI VGA Audio I/O Anti-drop DC



BNC Video Interface



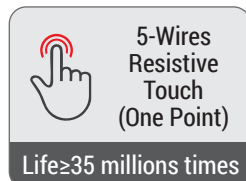
COM



Aviation Power Interface

Touch Type

- Front Panel IP65 Design,
Water and Dust Proof



Small Form Factor 17 – 21.5 inch Industrial Embedded Ultra Flat IP65 Touch Monitor: Specifications

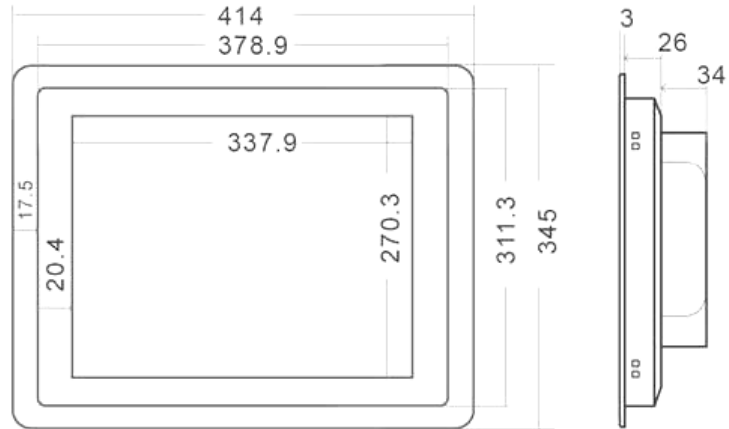
| Specifications | 17 inch | 17.3 inch | 19 inch | 19 inch | 21.5 inch |
|-------------------------------|--|--------------------------|------------------------|------------------------|--------------------------|
| General Info | | | | | |
| Item No. | KT17F | KT173F | KT19F-S | KT19F-W | KT215F |
| Material | Aluminum Alloy | | | | |
| Color | Black/Silver | | | | |
| IP Rating | IP65, Indoor & Outdoor Complied | | | | |
| Weight | 5.9KG | 5.9KG | 7KG | 7KG | 7.3KG |
| Certificate | CE ROHS | | | | |
| Warranty | 1 Year | | | | |
| Availability of Customisation | Yes | | | | |
| Screen Info | | | | | |
| Screen Size | 17 inches Bezel 3mm | 17.3 inches Bezel 3mm | 19 inches Bezel 3mm | 19 inches Bezel 3mm | 21.5 inches Bezel 3mm |
| Resolution | 1280x 1024 | 1920 x 1080 | 1280 x 1024 | 1440 x 900 | 1920 x 1080 |
| Proportion | 4:3 | 16:9 | 4:3 | 16:10 | 16:9 |
| Gray-scale Response Time | 5ms | | | | |
| Panel Type Industrial | Control A style TFT | | | | |
| Point Distance | 0.264mm | | | | |
| Contrast | 1000:1 | | | | |
| Backlight Type | LED, Lifespan ≥50000h | | | | |
| Display Color | 16.7M | | | | |
| Visual Angle | 160°/160° | | | | |
| Brightness | 400cd/m2 | | | | |
| Touch Type | Capacitive, Resistive and Infrared Optional | | | | |
| Touches Cycles | ≥50 Million Times | | | | |
| Interface Info | | | | | |
| Signal Interface | DVI, HDMI, VGA | | | | |
| Touch Interface | Ethernet to act as USB for touch | | | | |
| Other Interfaces | Audio Input and Output | | | | |
| Power Connector | DC with Ring Attachment (Optional DC Terminal Block) | | | | |
| Power Info | | | | | |
| Power Supply | External Power Adapter 100-240V, 50-60HZ | | | | |
| Monitor Input Voltage | 12-24V | | | | |
| Monitor Power | ≤35W | | | | |
| Dustproof and Waterproof | Front Panel IP65 Dustproof and Waterproof | | | | |
| Installation Method | Embedded, Desktop, Wall-mounted, VESA ARM Optional | | | | |
| Ambient Temperature | <80%, Non-condensable | | | | |
| Working Temperature | -20°C – 70°C | | | | |
| Language Menu | Chinese, English, German, French, Korean, Spanish, Italian, Russian, Customized | | | | |

Small Form Factor 17 inch Industrial Embedded Ultra Flat IP65 Touch Monitor: Specifications

Product Size

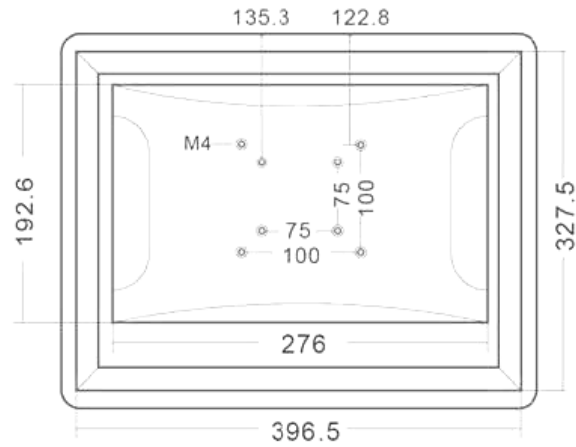
17"

Unit: mm
Tolerance: ±0.5mm



Front

Side



Back

Installation



Embedded with Buckles (Default)



Folding Bracket Stand (Optional)



Wall Hung Kits (Optional)



Small Form Factor 17.3 inch Industrial Embedded Ultra Flat IP65 Touch Monitor: Specifications

Product Size

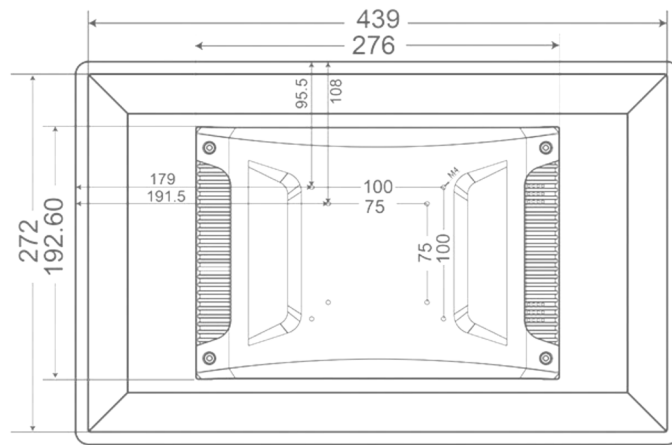
17.3"

Unit: mm
Tolerance: ±0.5mm



Front

Side



Back

Installation



Embedded with Buckles
(Default)



Folding Bracket Stand
(Optional)



Wall Hung Kits
(Optional)



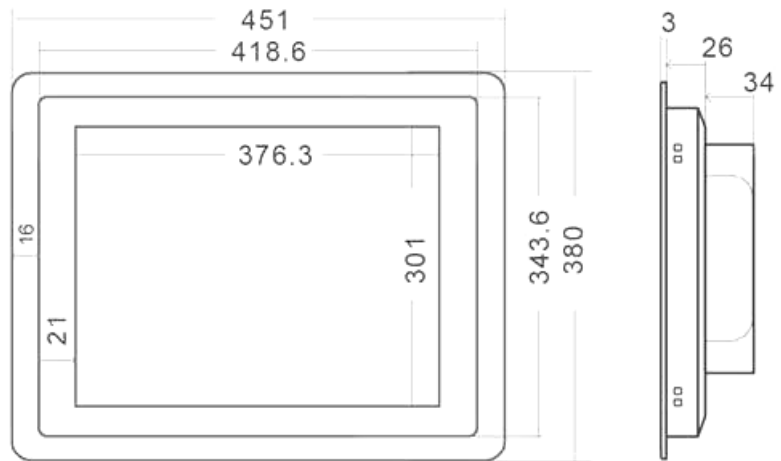
Match VESA ARM
(Optional)

Small Form Factor 19 inch Industrial Embedded Ultra Flat IP65 Touch Monitor: Specifications

Product Size

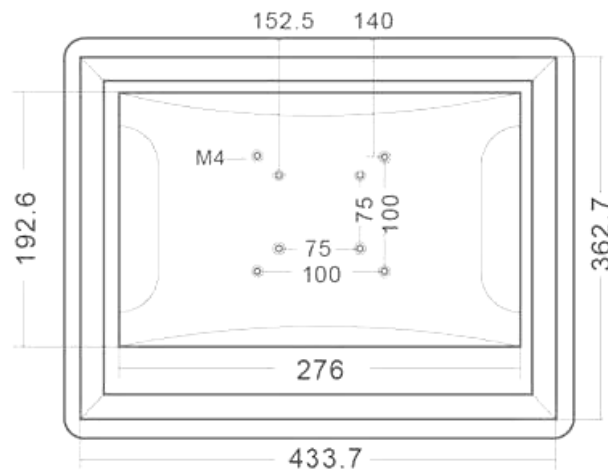
19"

Unit: mm
Tolerance: ±0.5mm



Front

Side



Back

Installation



Embedded with Buckles (Default)



Folding Bracket Stand (Optional)



Wall Hung Kits (Optional)



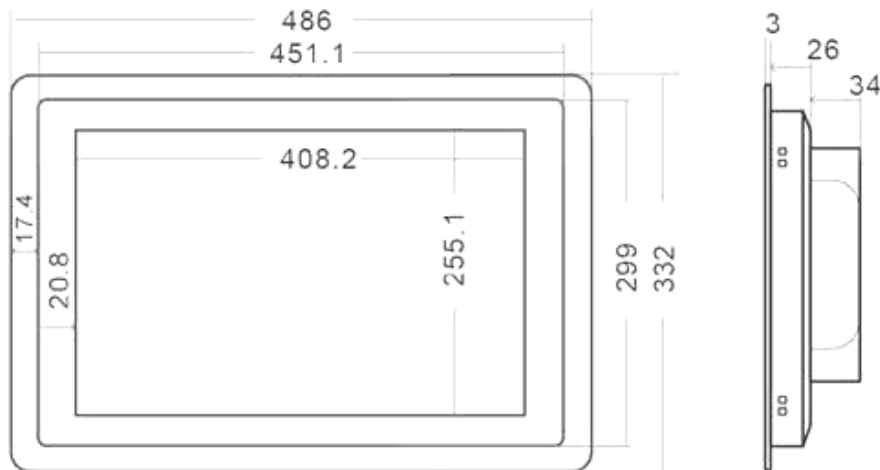
Match VESA ARM (Optional)

Small Form Factor 19 inch Wide Industrial Embedded Ultra Flat IP65 Touch Monitor: Specifications

Product Size

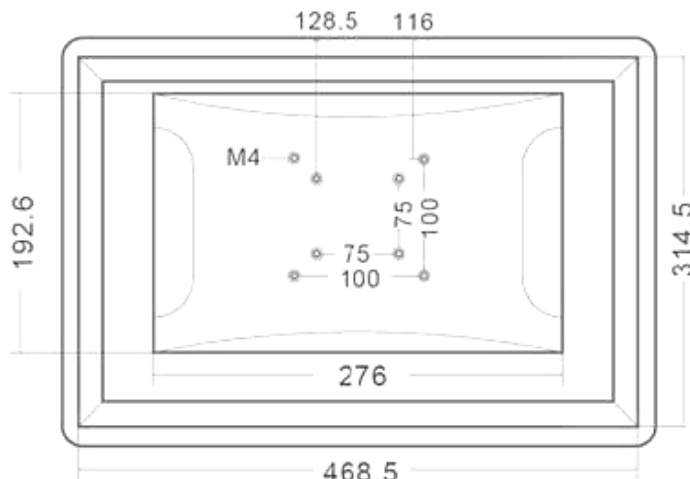
19" Wide

Unit: mm
Tolerance: ±0.5mm



Front

Side



Back

Installation



Embedded with Buckles (Default)



Folding Bracket Stand (Optional)



Wall Hung Kits (Optional)



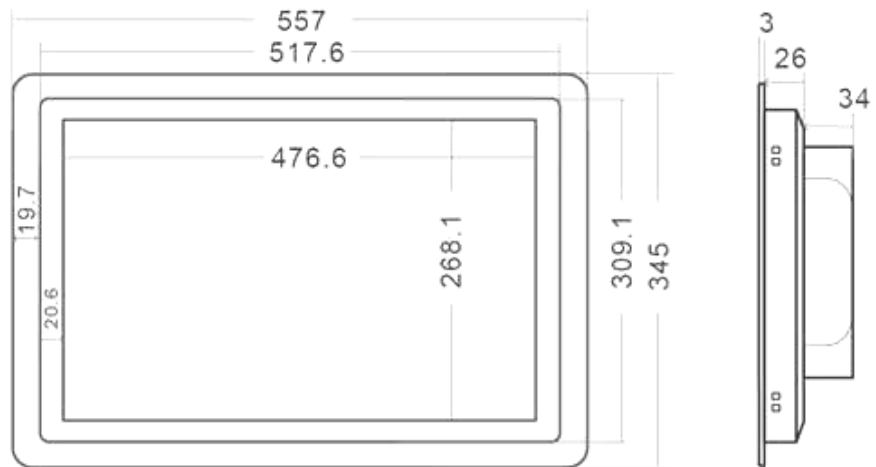
Match VESA ARM (Optional)

Small Form Factor 21.5 inch Industrial Embedded Ultra Flat IP65 Touch Monitor: Specifications

Product Size

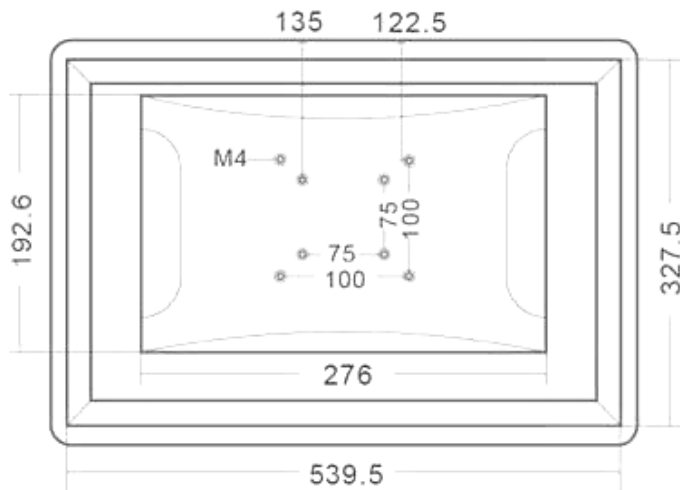
21.5"

Unit: mm
Tolerance: ±0.5mm



Front

Side



Back

Installation



Embedded with Buckles (Default)



Folding Bracket Stand (Optional)



Wall Hung Kits (Optional)



Match VESA ARM (Optional)