

Small Form Factor 10.1 – 15.6 inch Industrial Embedded Ultra Flat IP65 Touch Monitor



Specifications



10.1" – 15.6", Full Flat IP65 Touch Monitor

- Frame : Industrial Grade Aluminium Alloy
- Inches Available: 10.1 inch to 15.6 inch
- Color : Black or Sliver
- OEM, ODM, Customised Available

Waterproof Full Flat
IP65 Seamless Front



Optional: Sunlight Readable
(1000cd/m² Brightness)

Back to be IP sealed
with Neoprene - not
waterproof



Product Features

- OSD, Power Button
- Embedded Holes
- Excellent Heat Dissipation Design
- VESA Holes (75 x 75mm; 100 x 100mm)

Interfaces

- Support VGA, HDMI, DVI Automatic Identification Signal Channel
- Customised Interface :



RJ45 Touch Input HDMI DVI VGA Audio I/O Anti-drop DC



BNC Video Interface



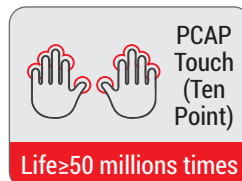
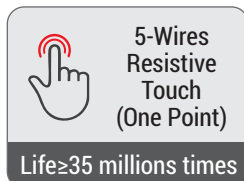
COM



Aviation Power Interface

Touch Type

- Front Panel IP65 Design,
Water and Dust Proof



Small Form Factor 10.1 – 15.6 inch Industrial Embedded Ultra Flat IP65 Touch Monitor: Specifications

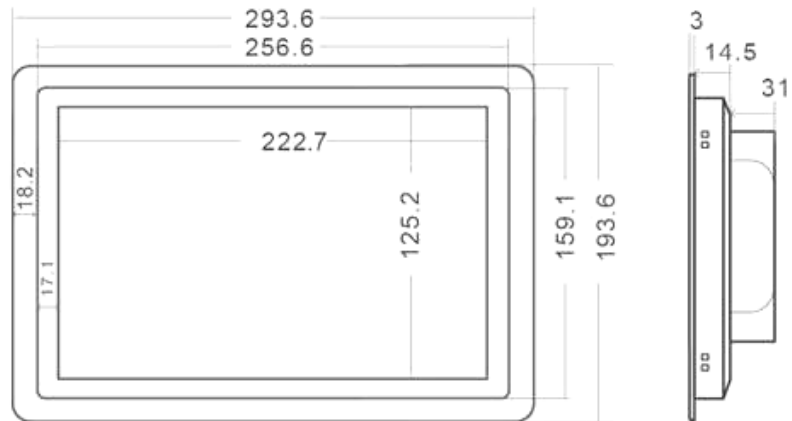
Specifications	10.1 inch	10.4 inch	10.6 inch	12 inch	12 inch	15 inch	15.6 inch
General Info							
Item No.	KT101F	KT104F	KT116F	KT12F-S	KT12F-W	KT15F	KT156F
Material	Aluminum Alloy						
Color	Black/Silver						
IP Rating	IP65, Indoor & Outdoor Complied						
Weight	3.2 KG	3.2KG	4KG	4KG	4.3KG	5.1KG	5.2KG
Certificate	CE ROHS						
Warranty	1 Year						
Availability of Customisation	Yes						
Screen Info							
Screen Size	10.1 inches Bezel 3mm	10.4 inches Bezel 3mm	11.6 inches Bezel 3mm	12 inches Bezel 3mm	12 inches Bezel 3mm	15 inches Bezel 3mm	15.6 inches Bezel 3mm
Resolution	1366 x 768	1024 x 768	1920 x 1080	800 x 600 Optional 1024 x 768	1280 x 800	1024 x 768	1366 x 768 Optional 1920 x 1080
Proportion	16:9	4:3	16:9	4:3	16:10	4:3	16:9
Gray-scale Response Time	5ms						
Panel Type Industrial	Control A style TFT						
Point Distance	0.264mm						
Contrast	1000:1						
Backlight Type	LED, Lifespan ≥50000h						
Display Color	16.7M						
Visual Angle	160°/160°						
Brightness	400cd/m2						
Touch Type	Capacitive, Resistive and Infrared Optional						
Touches Cycles	≥50 Million Times						
Interface Info							
Signal Interface	DVI, HDMI, VGA						
Touch Interface	Ethernet to act as USB for touch						
Other Interfaces	Audio Input and Output						
Power Connector	DC with Ring Attachment (Optional DC Terminal Block)						
Power Info							
Power Supply	External Power Adapter 100-240V, 50-60HZ						
Monitor Input Voltage	12-24V						
Monitor Power	≤35W						
Dustproof and Waterproof	Front Panel IP65 Dustproof and Waterproof						
Installation Method	Embedded, Desktop, Wall-mounted, VESA ARM Optional						
Ambient Temperature	<80%, Non-condensable						
Working Temperature	-20°C – 70°C						
Language Menu	Chinese, English, German, French, Korean, Spanish, Italian, Russian, Customized						

Small Form Factor 10.1 inch Wide Industrial Embedded Ultra Flat IP65 Touch Monitor: Specifications

Product Size

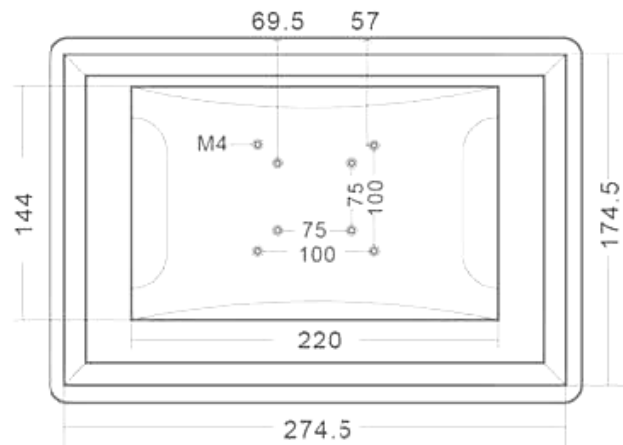
10.1" Wide

Unit: mm
Tolerance: ±0.5mm



Front

Side



Back

Installation



Embedded with Buckles (Default)



Folding Bracket Stand (Optional)



Wall Hung Kits (Optional)



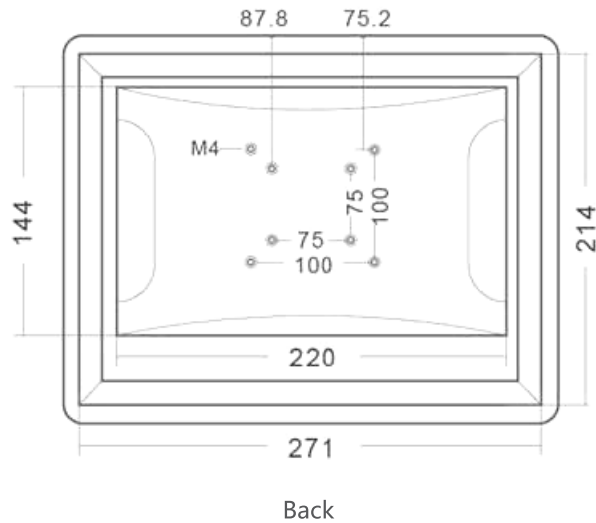
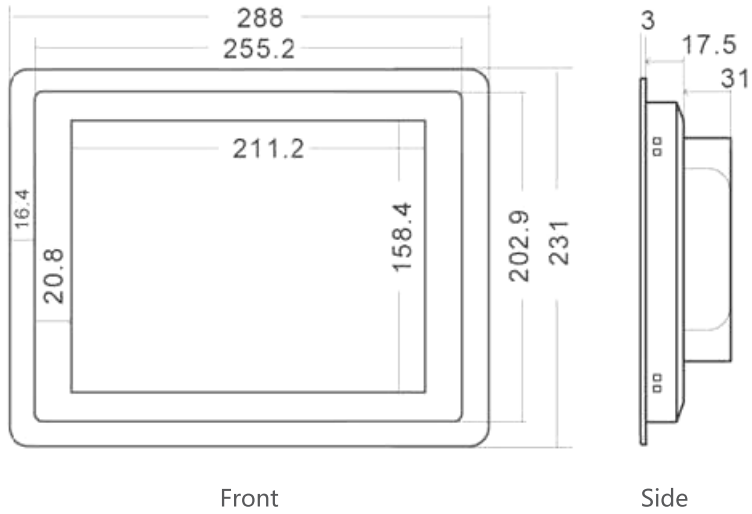
Match VESA ARM (Optional)

Small Form Factor 10.4 inch Industrial Embedded Ultra Flat IP65 Touch Monitor: Specifications

Product Size

10.4"

Unit: mm
Tolerance: ±0.5mm



Installation



Embedded with Buckles (Default)



Folding Bracket Stand (Optional)



Wall Hung Kits (Optional)



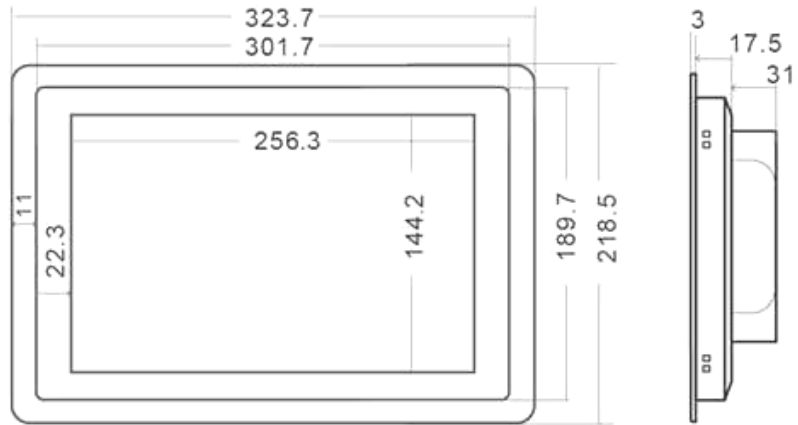
Match VESA ARM (Optional)

Small Form Factor 11.6 inch Industrial Embedded Ultra Flat IP65 Touch Monitor: Specifications

Product Size

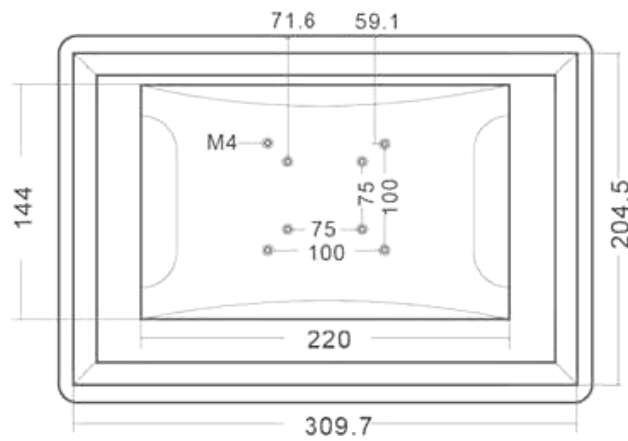
11.6"

Unit: mm
Tolerance: ±0.5mm



Front

Side



Back

Installation



Embedded with Buckles (Default)



Folding Bracket Stand (Optional)



Wall Hung Kits (Optional)



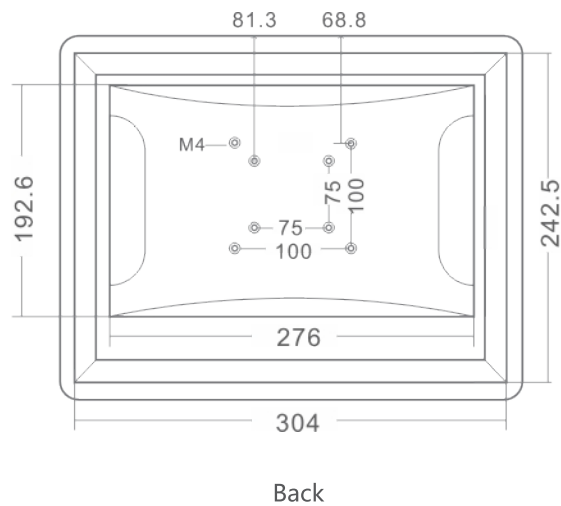
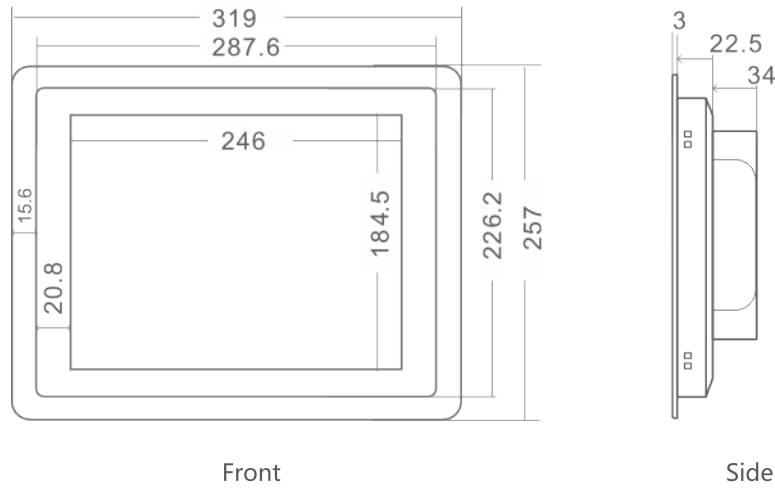
Match VESA ARM (Optional)

Product Size

12"

Unit: mm
Tolerance: ±0.5mm

Remark: 12inch Windows Panel PC



Installation



Embedded with Buckles (Default)



Folding Bracket Stand (Optional)



Wall Hung Kits (Optional)



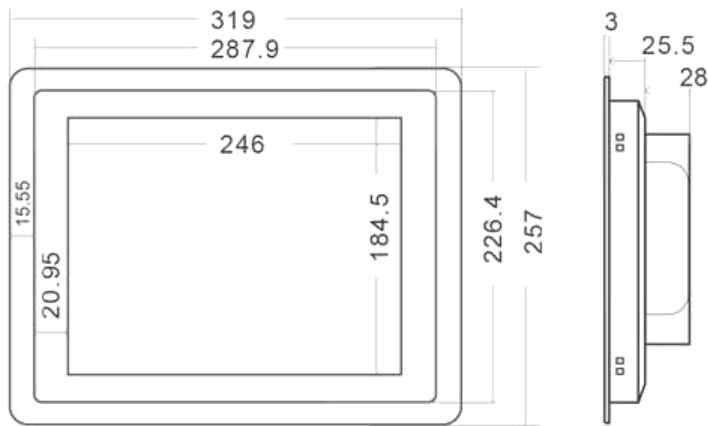
Match VESA ARM (Optional)

Product Size

12"

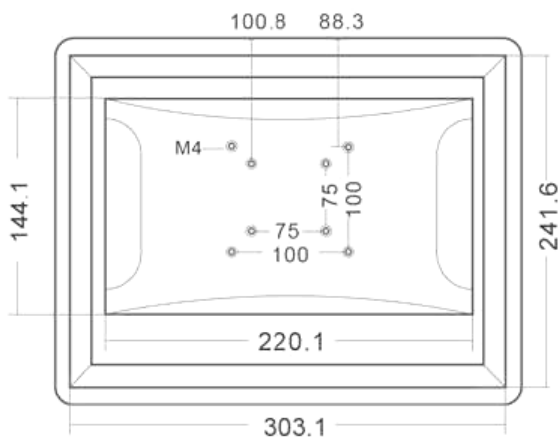
Unit: mm
Tolerance: ±0.5mm

Remark: 12inch Android Panel PC and Monitor



Front

Side



Back

Installation



Embedded with Buckles
(Default)



Folding Bracket Stand
(Optional)



Wall Hung Kits
(Optional)



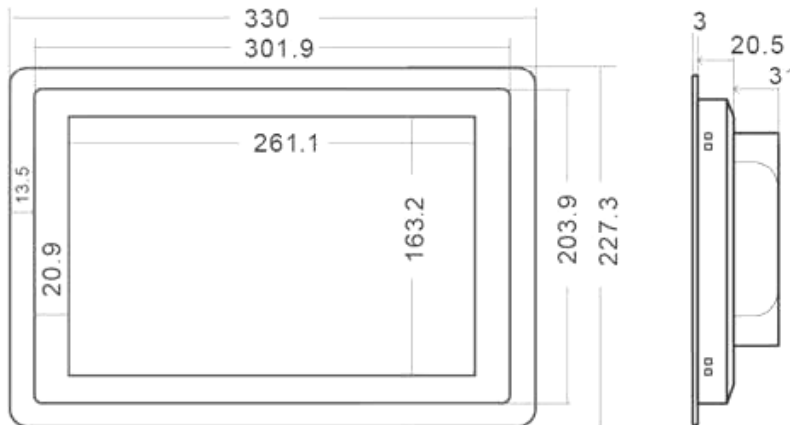
Match VESA ARM
(Optional)

Small Form Factor 12 Wide inch Industrial Embedded Ultra Flat IP65 Touch Monitor: Specifications

Product Size

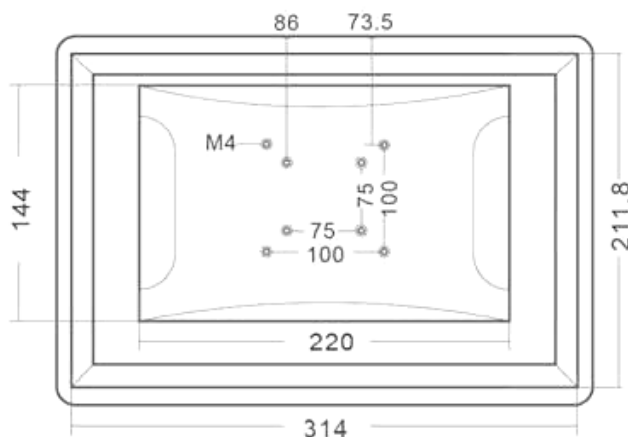
12" Wide

Unit: mm
Tolerance: ±0.5mm



Front

Side



Back

Installation



Embedded with Buckles (Default)



Folding Bracket Stand (Optional)



Wall Hung Kits (Optional)



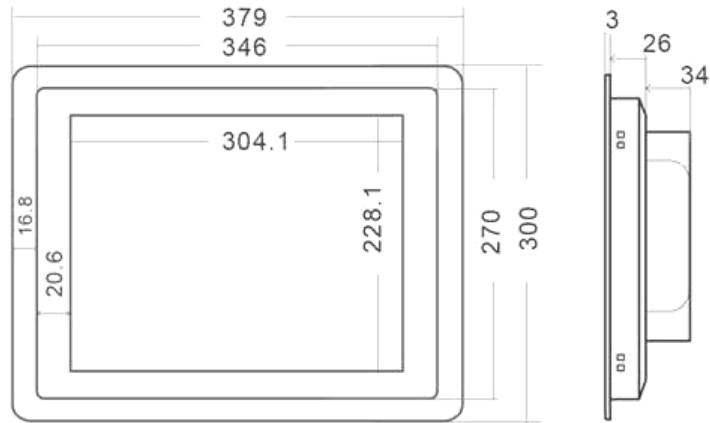
Match VESA ARM (Optional)

Small Form Factor 15 inch Industrial Embedded Ultra Flat IP65 Touch Monitor: Specifications

Product Size

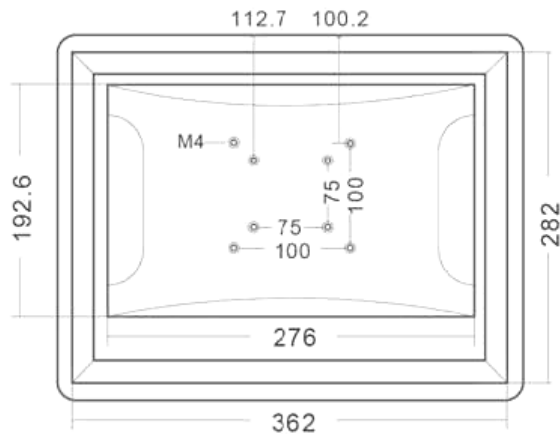
15"

Unit: mm
Tolerance: ±0.5mm



Front

Side



Back

Installation



Embedded with Buckles (Default)



Folding Bracket Stand (Optional)



Wall Hung Kits (Optional)



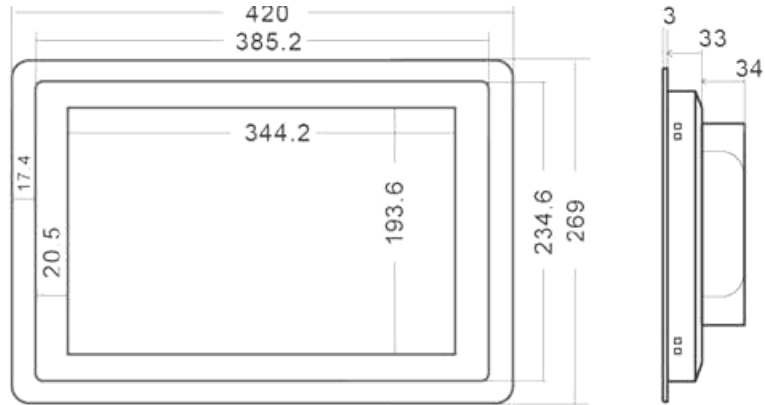
Match VESA ARM (Optional)

Small Form Factor 15.6 inch Industrial Embedded Ultra Flat IP65 Touch Monitor: Specifications

Product Size

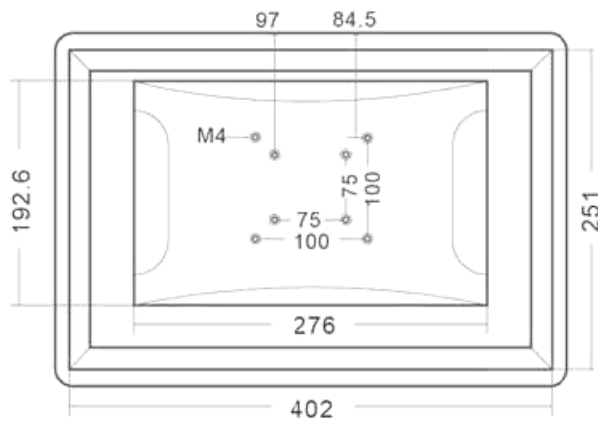
15.6"

Unit: mm
Tolerance: ±0.5mm



Front

Side



Back

Installation



Embedded with Buckles (Default)



Folding Bracket Stand (Optional)



Wall Hung Kits (Optional)



Match VESA ARM (Optional)